



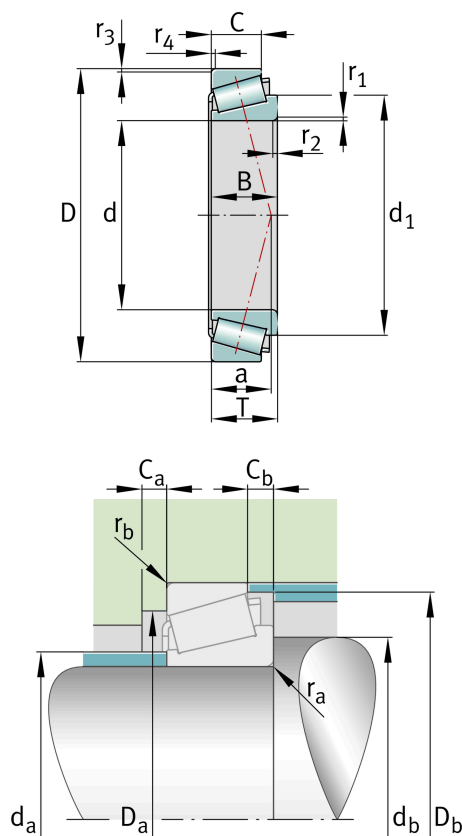
FAG

## 30312-A

Tapered roller bearing

Schaeffler ID:  
0167109590000Tapered roller bearings 303, main  
dimensions to DIN ISO 355 / DIN 720,  
separable, adjusted or in pairs

## Technical information



## Main Dimensions &amp; Performance Data

d	60 mm	Bore diameter
D	130 mm	Outside diameter
B	31 mm	Width, inner ring
C	26 mm	Width, outer ring
T	33.5 mm	Width, total
$C_r$	174,000 N	Basic dynamic load rating, radial
$C_{0r}$	202,000 N	Basic static load rating, radial
$C_{ur}$	24,700 N	Fatigue load limit, radial
$n_G$	5,700 1/min	Limiting speed
$n_{gr}$	4,050 1/min	Thermal speed rating
	1.984 kg	Weight

## Dimensions

$r_{1,2 \text{ min}}$	3 mm	Minimum chamfer dimension of inner ring back face
$r_{3,4 \text{ min}}$	2.5 mm	Minimum chamfer dimension of outer ring back face
a	27 mm	Distance between the apexes of the pressure cones
$d_1$	92.1 mm	Guidance rib diameter of inner ring

## Mounting dimensions

$d_{a \text{ max}}$	77 mm	Maximum diameter of shaft shoulder
$d_{b \text{ min}}$	72 mm	Minimum diameter of shaft shoulder
$D_{a \text{ min}}$	112 mm	Minimum diameter of housing shoulder
$D_{a \text{ max}}$	118 mm	Maximum diameter of housing shoulder
$D_{b \text{ min}}$	120 mm	Minimum diameter of housing shoulder
$C_{a \text{ min}}$	5 mm	Minimum axial space
$C_{b \text{ min}}$	7.5 mm	Minimum axial space
$r_{a \text{ max}}$	3 mm	Maximum fillet radius of shaft
$r_{b \text{ max}}$	2.5 mm	Maximum fillet radius of housing

**Calculation factors**

	T2FB060	Comparative designation to ISO 10317 and ISO 355
e	0.35	Limiting value of Fa/Fr for the applicability of diff. Values of factors X and Y
Y	1.74	Dynamic axial load factor
Y <sub>0</sub>	0.96	Static axial load factor

**Temperature range**

T <sub>min</sub>	-30 °C	Operating temperature min.
T <sub>max</sub>	120 °C	Operating temperature max.